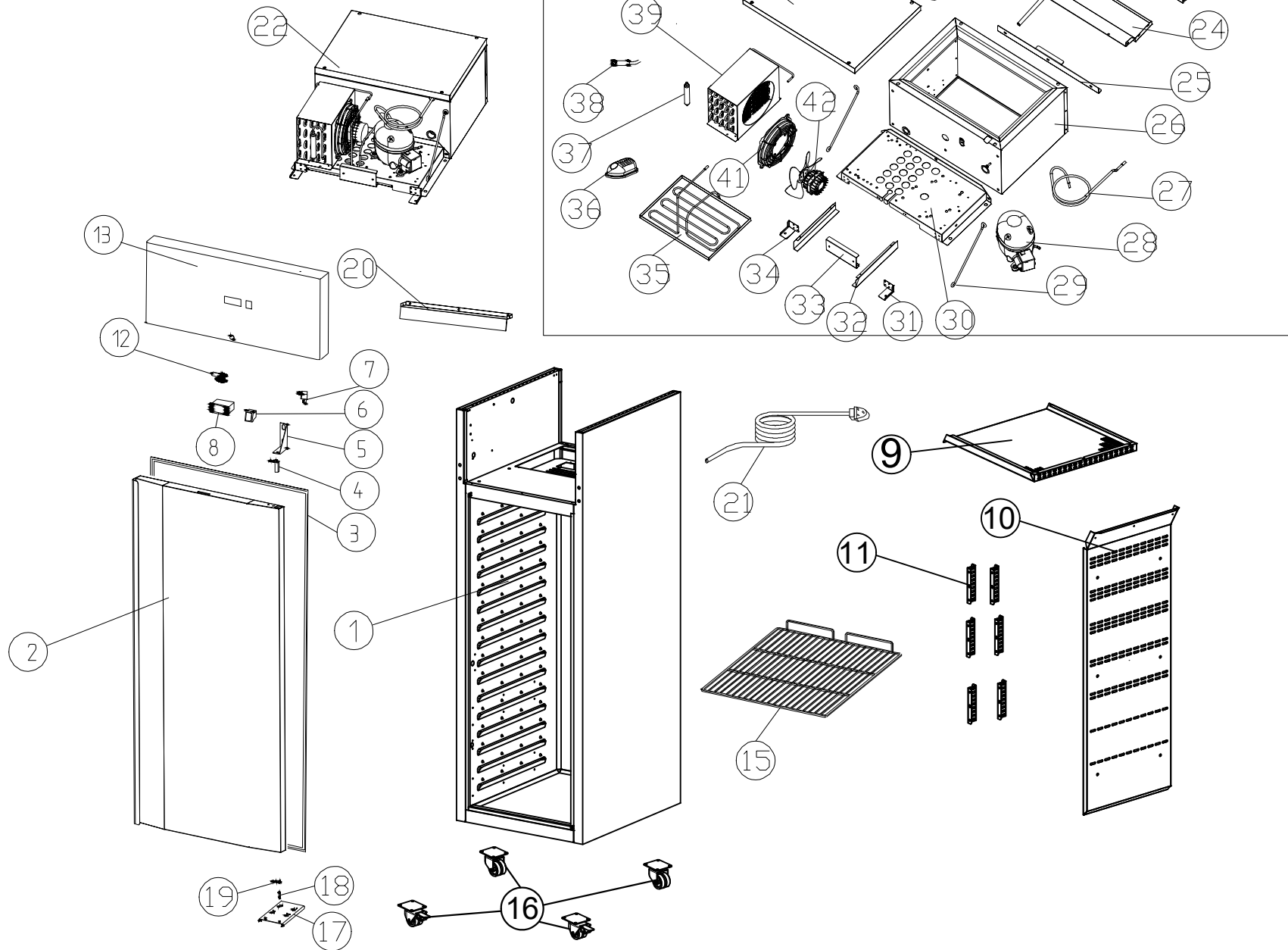


GNH550BT-PT



GNH550BT-PT spare part list

	SANTA SUK	Name	Unit
1	SKC-0-010-0393-0	Body	1
2	SKC-0-010-0461-0	Door	1
3	SKC-2-110-0991-0	Door Seal	1
4	SKC-2-160-0600-0	Self-Closing Hinge	1
5	SKC-2-011-0631-0	UP HINGE/RIGHT	1
6	SKC-4-050-0001-0	Power Switch	1
7	SKC-4-050-0005-0	Door Switch	1
8	SKC-4-030-0066-0	Thermostat	1
9	SKC-2-010-0156-0	Top Air Baffle	1
10	SKC-2-011-0629-0	Air Flow Plate	1
11	SKC-2-011-0630-0	Air Flow Plate Bracket	6
12	SKC-2-170-0081-0	Door Lock	1
13	SKC-2-130-0213-0	Front Panel	1
15	SKC-2-120-0250-0	Shelf	3
16	SKC-2-140-0037-0	Wheels With Brake	2
	SKC-2-140-0038-0	Wheels	2
17	SKC-2-001-0155-0	DOWN HINGE/RIGHT	1
18	SKC-2-170-0211-0	Hinge Axis	1
19	SKC-2-110-0353-0	Door Hinge Bushing	1
20	SKC-2-011-0632-0	Fan Cover Plate	1
21	SKC-4-010-0276-0	Power Cord	1
22	SKC-0-010-0397-0	Integrated Refrigeration Unit	1
23	SKC-2-055-0792-0	Evaporation Tray Lower Baffle	1
24	SKC-0-010-0239-0	Evaporation Tray	1
25	SKC-2-011-0356-0	Evaporation Tray Mounting Bracket	1
26	SKC-0-010-0398-0	Evaporation Tray Assembly	1
27	SKC-2-104-0639-0	Suction Line	1
28	SKC-4-040-0261-0	Compressor	1
29	SKC-2-120-0610-0	Unit Wire Reinforcement (Right)	1
	SKC-2-120-0611-0	Unit Wire Reinforcement (Left)	1
30	SKC-2-055-0789-0	UNIT BOARD	1
31	SKC-2-011-0636-0	Control Board Mount (Right)	1
32	SKC-2-055-0790-0	Unit Water Tray Guide Rail	2
33	SKC-2-055-0098-0	Unit Handle	1
34	SKC-2-011-0637-0	Control Board Mount (Left)	1
35	SKC-0-055-0136-0	Unit Water Tray	1
36	SKC-2-002-0036-0	Plastic Temperature Sensor Clip	1
37	SKC-2-103-0001-0	Filter Drier	1
38	SZT-4-030-0008-0	Sensor Black	1
	SZT-4-030-0010-0	Sensor Blue	1
39	SKC-2-102-0075-0	Condenser	1
41	SKC-2-120-0041-0	Condenser Fan Guard	1
42	SKC-4-001-0025-0	Condenser Fan (With Blade)	1
43	SKC-0-010-0399-0	Foamed Top Cover	1
44	SKC-4-001-0053-0	Evaporator Fan	1
45	SKC-2-055-0794-0	Evaporator Fan Mounting Plate	1
46	SKC-2-101-0252-0	Evaporator	1
47	SKC-4-060-0001-0	Defrost Protector	1
48	SKC-4-020-0227-0	Stainless Steel Heating Tube	1